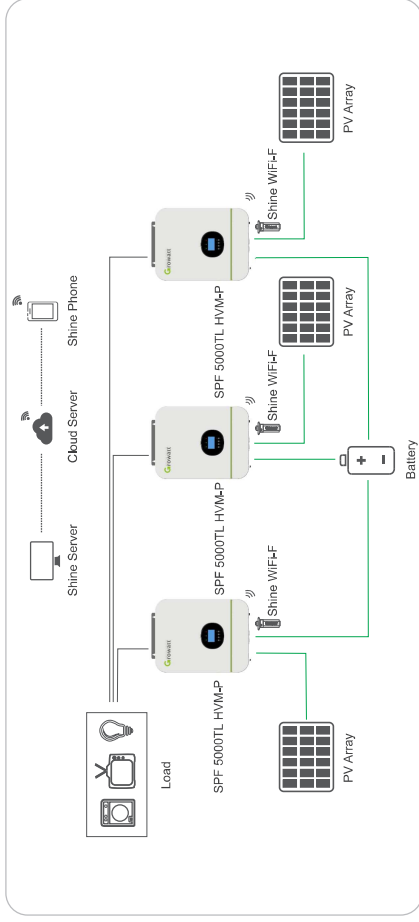
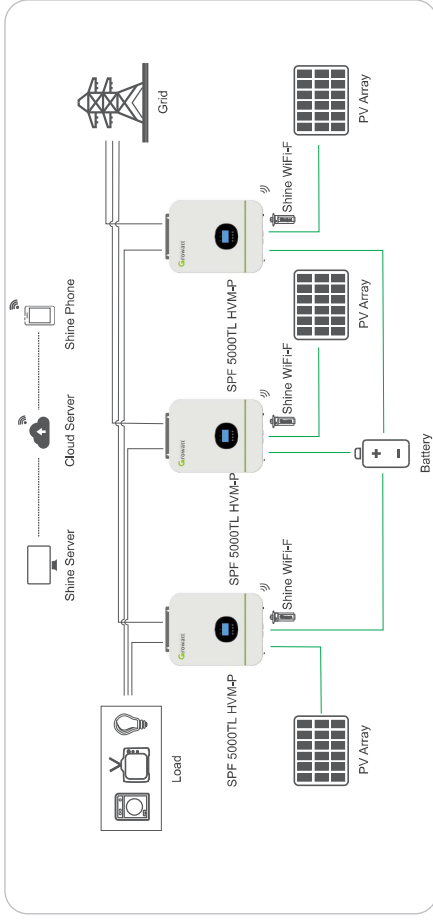


**02 PV application**

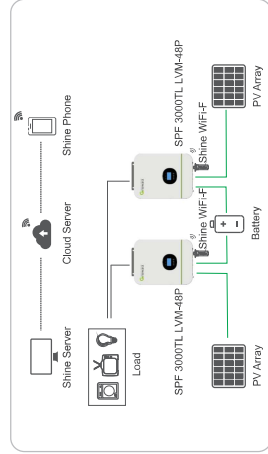


**03 PV + grid supply application**

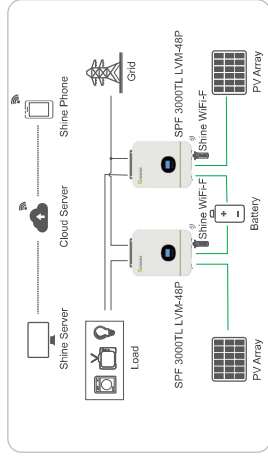


**D. Split-phase parallel application (only SPF 3000TL LVM/LVM-ES)**

**01 Only PV application**



**02 PV + grid supply application**



# SPF 2000~5000TL HVM

High frequency, 230Vac output



**Datasheet**

	SPF 2000TL HVM-24	SPF 3000TL HVM-24	SPF 2000TL HVM-48	SPF 3000TL HVM-48	SPF 5000TL HVM/HVM-P
Battery Voltage	24VDC	48VDC	48VDC	48VDC	48VDC
Battery Type	Lead-acid	Lead-acid	Lithium/Lead-acid	Lithium/Lead-acid	Lithium/Lead-acid
<b>INVERTER OUTPUT</b>					
Rated Power	2000VA/2000W	3000VA/3000W	2000VA/2000W	3000VA/3000W	5000VA/5000W
Parallel Capability	No	No	No	No	No/Yes, 6 units maximum
AC Voltage Regulation (Battery Mode)	230VAC ± 5% @ 50/60Hz	230VAC ± 5% @ 50/60Hz	230VAC ± 5% @ 50/60Hz	230VAC ± 5% @ 50/60Hz	230VAC ± 5% @ 50/60Hz
Surge Power	4000VA	6000VA	4000VA	6000VA	10000VA
Efficiency (Peak)	93%	93%	93%	93%	93%
Waveform	Pure sine wave	Pure sine wave	Pure sine wave	Pure sine wave	Pure sine wave
Transfer Time	10ms typical	20ms Max	10ms typical	20ms Max	10ms typical
<b>SOLAR CHARGER</b>					
Max. Recommended PV Power	1500W	1500W	1500W	1500W	4500W
MPP Range @ Operating Voltage	30VDC—80VDC	30VDC—80VDC	60VDC—115VDC	60VDC—115VDC	60VDC—115VDC
Maximum PV Array Open Circuit Voltage	102VDC	102VDC	146VDC	146VDC	146VDC
Number of Independent MPP Trackers/Strings per MPPT Tracker	1/1	1/1	1/1	1/1	1/1
Maximum Solar Charge Current	50A	50A	30A	30A	80A
Maximum Efficiency	96%	96%	96%	96%	96%
<b>AC CHARGER</b>					
Charge Current	30A	30A	15A	15A	60A
AC Input Voltage	231VAC	231VAC	231VAC	231VAC	231VAC
Selectable Voltage Range	170-280 VAC (For Personal Computers) ; 90-280 VAC (For Home Appliances)	170-280 VAC (For Personal Computers) ; 90-280 VAC (For Home Appliances)	170-280 VAC (For Personal Computers) ; 90-280 VAC (For Home Appliances)	170-280 VAC (For Personal Computers) ; 90-280 VAC (For Home Appliances)	170-280 VAC (For Personal Computers) ; 90-280 VAC (For Home Appliances)
Frequency Range	50Hz/60Hz (Auto sensing)	50Hz/60Hz (Auto sensing)	50Hz/60Hz (Auto sensing)	50Hz/60Hz (Auto sensing)	50Hz/60Hz (Auto sensing)
<b>PHYSICAL</b>					
Protection Degree	IP20	IP20	IP20	IP20	IP20
Dimension (W/H/D)	315(400)130mm	315(400)130mm	315(400)130mm	315(400)130mm	350(450)130mm
Net Weight (kg)	8	8.5	8	8.5	11.5
<b>OPERATING ENVIRONMENT</b>					
Humidity	5% to 95% relative Humidity (non-condensing)	5% to 95% relative Humidity (non-condensing)	5% to 95% relative Humidity (non-condensing)	5% to 95% relative Humidity (non-condensing)	5% to 95% relative Humidity (non-condensing)
Altitude	<2000m	<2000m	<2000m	<2000m	<2000m
Operating Temperature	0°C - 55°C	0°C - 55°C	0°C - 55°C	0°C - 55°C	0°C - 55°C
Storage Temperature	-15°C - 60°C	-15°C - 60°C	-15°C - 60°C	-15°C - 60°C	-15°C - 60°C

\* All specifications are subject to change without notice